

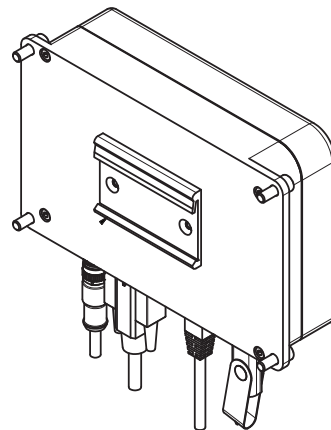
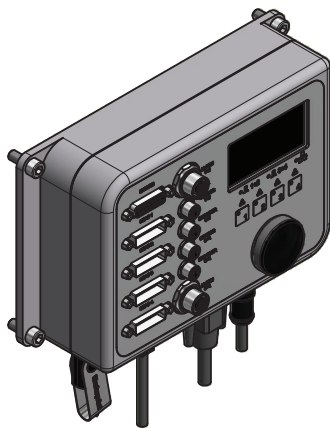
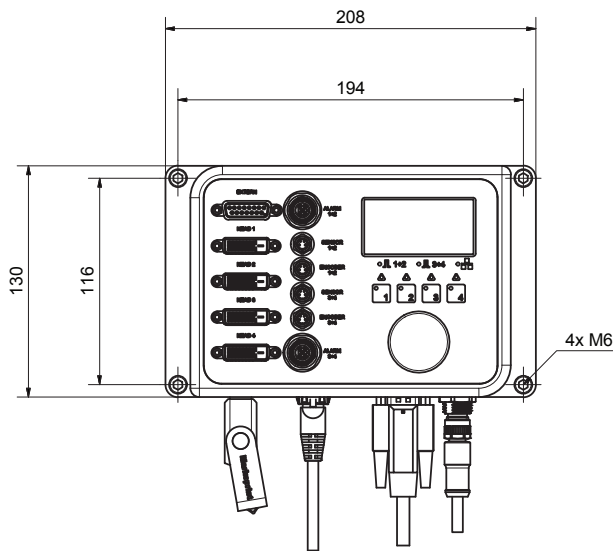
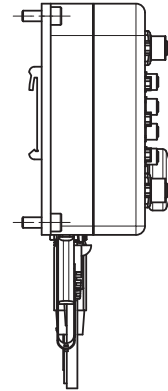
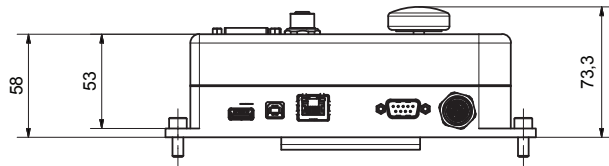
TECHNICAL FEATURES

ZENJET MULTI

Maxium number of Heads	2 for the dream 2, 4 with the dream 4 and multi, 8 with the box 8
Cable lenght	3; 5; 10 meters
Printing task or Channel	2/4
Horizontal resolution max	50 up to 900 dpi
Vertical resolution max	300 dpi or 600 dpi
Character height	0,8 to 12,7 mm per head
Printout width in WYSIWYG	up to 3 m
Internal memory text	Unlimited
Text field	✓
Counter	✓
Date field	✓
Date offset - Expiry date	✓
Variable text via communication	✓
Logos	✓
Barcodes	✓
2D code	✓
Data transfer by USB-stick	✓
Communication Protocol	✓ macro commands available
Ethernet port IP - MAC address	✓ ✓
RS 232	✓
Web interface	X
Internal product sensor	✓
External product sensor	✓ x 2 - x 4 for box 8
Encoder (external)	x 2 - x 4 for box 8
Std Inputs: Encoder and External - photocell	✓ - ✓ for group 1 and for group 2
Additional Inputs /Outputs	4 Inputs / 4 Outputs Ex. Direction_1, Direction_2,Spit_1, Spit_2 Ex: Ready, Alarm, Print completed Grp-1 , Print completed Grp-2
Ink level display	LED + level on display
Ink refreshment possibility	✓
Password protection	✓
Temperature control and warning	✓
On board label editor	✓ + DesignLine on PC
On board edition of variable	✓
PC Label-editor and file-transfer available	✓ by USB-B, by ethernet and RS232 COM ports
Fonts used	Printer fonts + TTF
Display	Colour 320 x 240 pixels
Power supply	90 to 240 V AC - 50 - 60 Hz
Electrical consumption	< 18 W
Operating temperature	5 - 40°C
Operating humidity - not condensed	10 - 90%
Inks for most of porous substrates	✓
Inks for most of non porous substrates	✓
Weight to consider for motion system	< 500 g (single head)
Weight to consider for shipment - 1 head	6 kg
Protection rating : IP40	✓



A MARKING & CODING COMPANY



www.zenjet-coding.com
+33 475 82 84 53
info@zenjet-coding.com

ZENJET MULTI